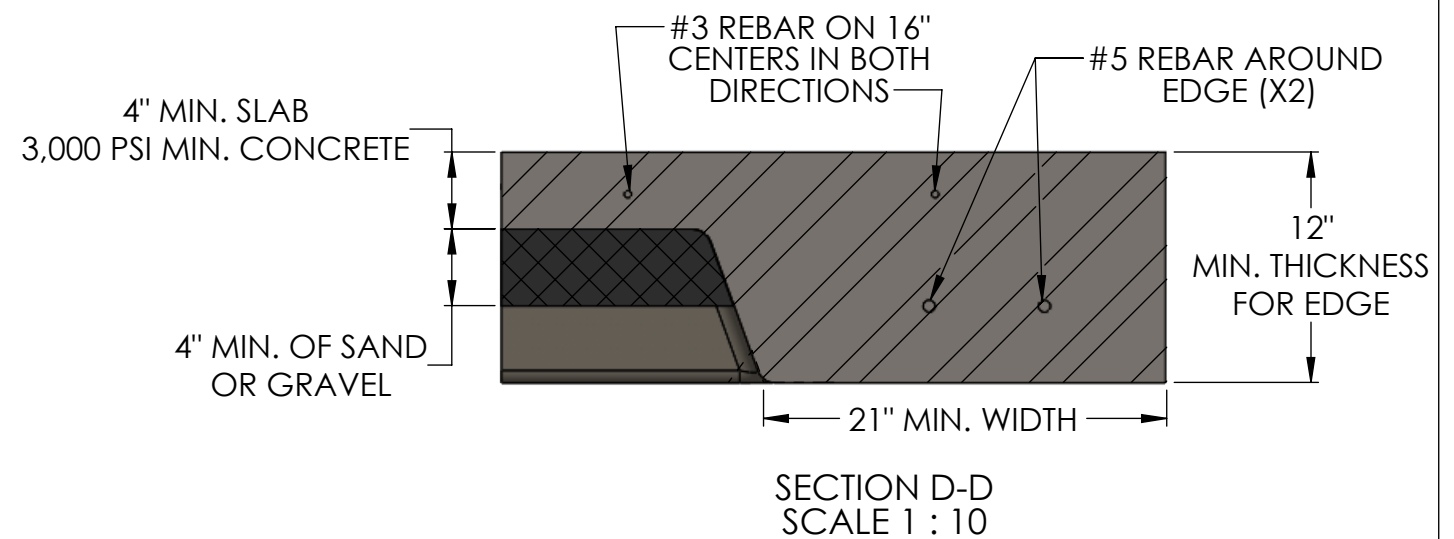
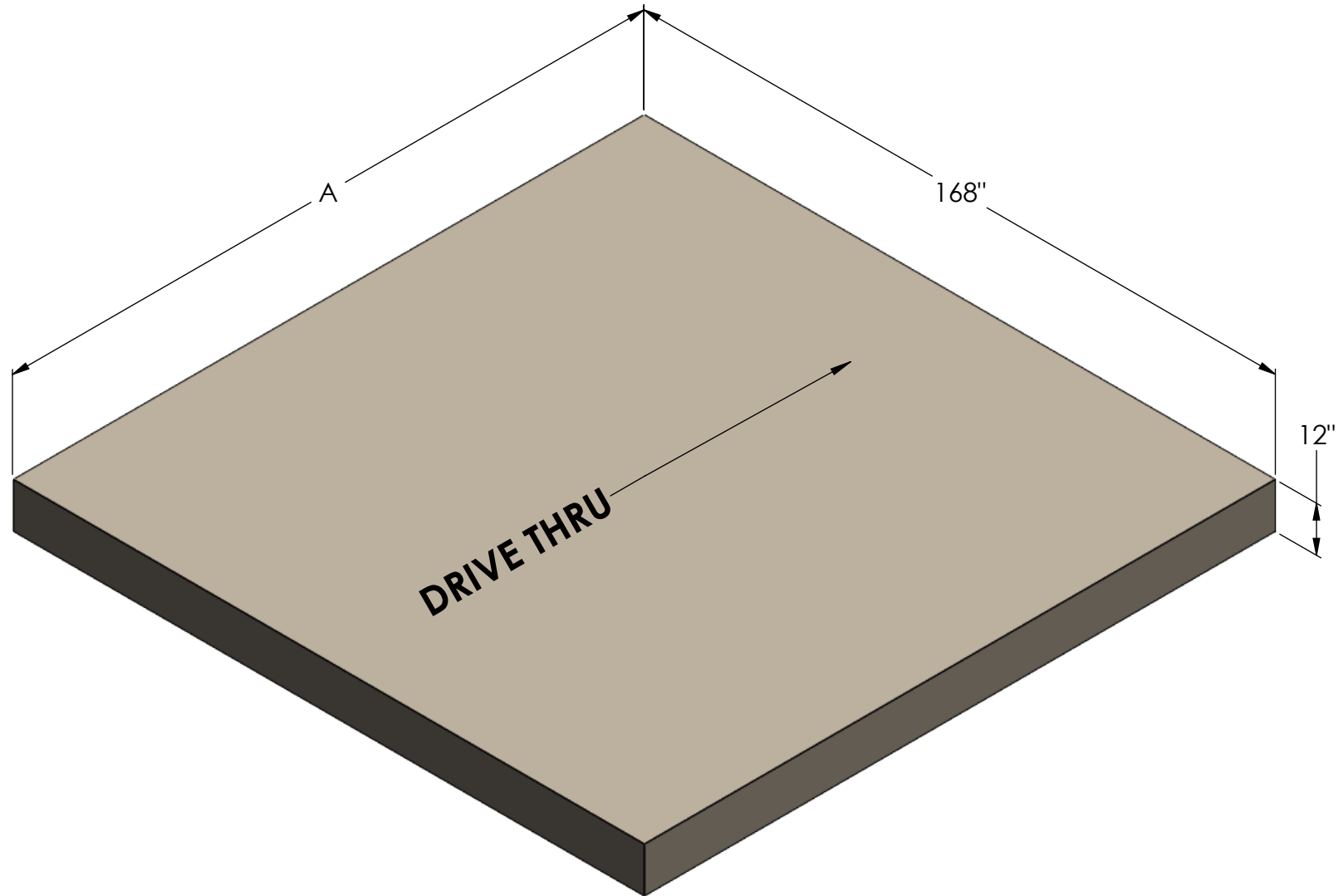
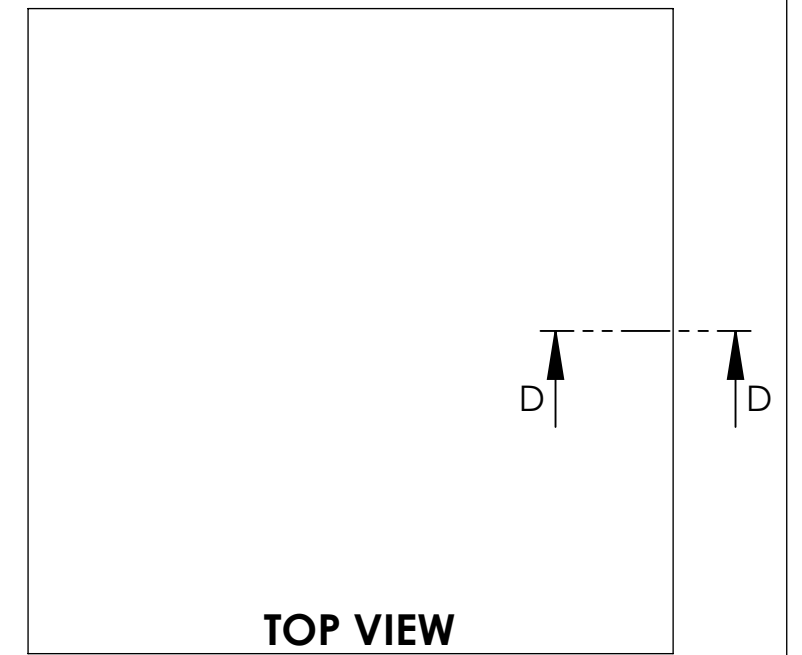
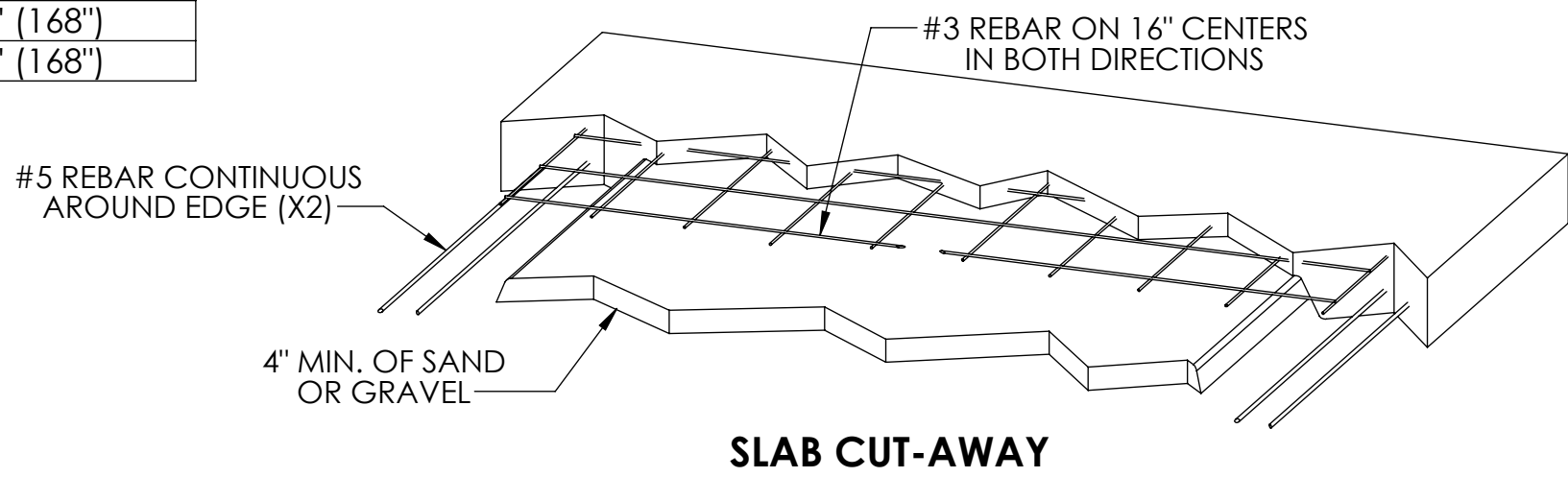


TONNAGE	DIM. "A"
10	12'8" (152")
15	12'8" (152")
30	14' (168")
35	14' (168")



**SLAB ASSEMBLY REV A**

**PROPRIETARY AND CONFIDENTIAL**  
THE INFORMATION CONTAINED IN THIS DRAWING IS THE SOLE PROPERTY OF BRAZOS TRAILERS, LLC. ANY REPRODUCTION IN PART OR AS A WHOLE WITHOUT THE WRITTEN PERMISSION OF BRAZOS TRAILERS, LLC IS PROHIBITED.

**TOLERANCES:**  
UNLESS OTHERWISE SPECIFIED:  
DIMENSIONS ARE IN INCHES  
TOLERANCES:  
FRACTIONAL: ± 1/16"  
BEND: ± 1/16"  
ANGULAR: (MACH) ± 0.5°  
ANGULAR: (BEND) ± 0.5°  
HOLE Ø: -0.001" + 0.005"  
ONE PLACE DECIMAL: ± 0.1"  
TWO PLACE DECIMAL: ± 0.01"  
THREE PLACE DECIMAL: ± 0.003"



**Description:**  
**SILO CONCRETE SLAB SPECIFICATIONS**

EST. WEIGHT	SIZE	DWG. NO.	REV
	<b>B</b>	<b>SILO SLAB SPECS</b>	<b>A</b>
DO NOT SCALE DRAWING	SCALE: NTS		SHEET 1 OF 1